

Sunlight Calculator (SunCalc®)

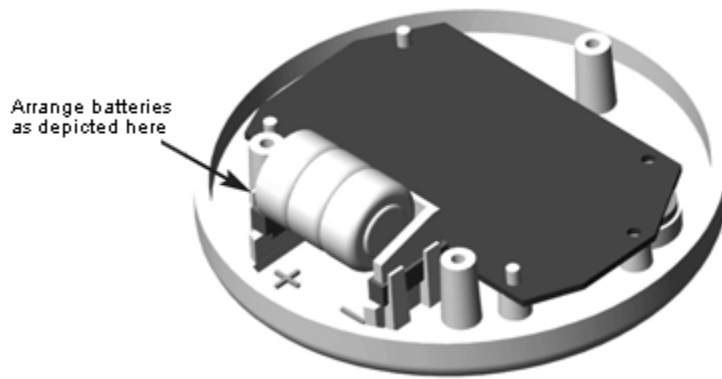
(AB906)

The following instructions were provided by the manufacturer.

- 1) To assemble the SunCalc, insert the stake into the opening on the underside of the unit. Tighten the pieces firmly together.
- 2) Select a day when you can reasonably expect a full day of sunlight with limited of no clouds.
- 3) Start early in the day, between 7 and 9 A.M. Place the SunCalc as close as possible to your specific planting location. We recommend the unit be placed in a flower pot filled with soil to avoid shade created by other nearby plants. It can also be placed directly in the ground. Make sure the face of the unit is parallel to the ground so the SunCalc measures the sun's rays in the same way the plant's leaves receive the sun.
- 4) Press the on/off button on the face of the SunCalc. The four small LED lights next to the various sunlight levels will flash every few seconds; this indicates the unit is taking sunlight readings.
- 5) After 12 hours of continuous operation, the SunCalc will complete taking sunlight readings. A single LED will light up to indicate the light level measured in that location as Full Sun, Partial Sun, Partial Shade, or Full Shade.
- 6) After noting the test results, press the on/off button to turn off the SunCalc. **(It will automatically shut itself off after about 24 hours.)**

If the SunCalc appears to malfunction for any reason, turn the unit off. Open the SunCalc by removing the three small screws on the underside of the unit. Lift off and turn over the top of the SunCalc. Remove the batteries; wait 10 seconds; reinstall. Re-align the top of the SunCalc with the base. Replace and tighten the screws; restart by pressing the on/off button. If after restarting, the unit continues to malfunction, replace the batteries with fresh, new batteries.

- Use only fresh alkaline button cell batteries: A76/LR44/AG13/L1154.
- Do not mix old and new batteries.
- Batteries must be installed in the correct direction and polarity.
- Clean the battery contacts prior to installing batteries.
- Dispose of batteries safely and in accordance with local laws.
- Keep all button cell batteries away from children.



Please note:

- If you are not able to note the results at the end of the test cycle, the unit will hold and display the results of the previous test any time the unit is turned on, before a new test cycle has been completed.
 - The SunCalc may be turned off at any time during the test cycle by pressing the on/off button. Press the button again to restart the test from the beginning.
 - This unit is water-resistant, but should not purposely be used in rain or sprinklers.
 - The SunCalc is designed to calculate sunlight conditions during the planting/growing season.
 - Test readings taken during other times of the year will differ from readings taken in-season.
 - Keep out of reach of children.
-